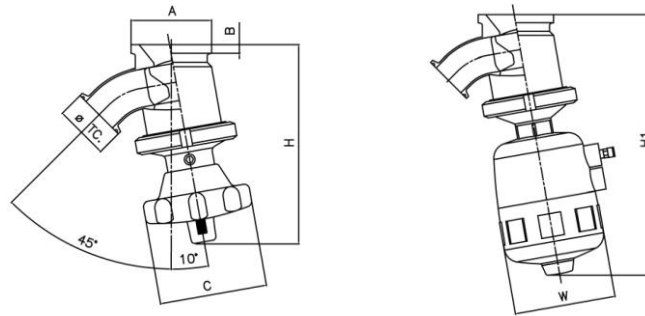




Sanitary
flow
equipment



VFA10°-S/TC Flush Tank Bottom welded body



(..) T → TFM PTFE
(..) X → Silicone
(...) MD → manual actuator
(...) PB → pneumatic actuator

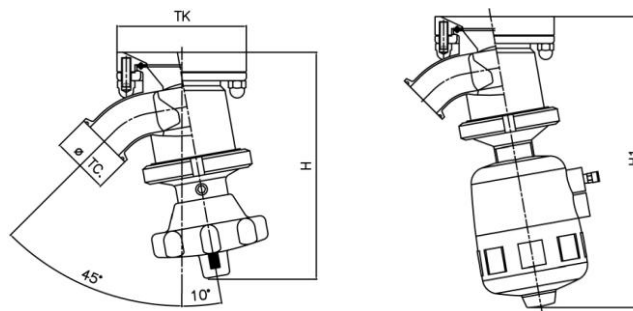
Dimensions table

CODE	INCH	DN	ØTC	ID	A	B	C	H	W	H1
VAA-075AH-(..)(...)-71A	3/4"	20	25	15,75	50	6	50	90	53	130
VAA-100AJ-(..)(...)-71A	1"	25	50,4	22,1	60	8	100	175	80	215
VAA-150AM-(..)(...)-71A	1" 1/2	40	50,4	34,8	75	8	100	185	101	260
VAA-200AN-(..)(...)-71A	2"	50	64	47,5	115	10	100	200	126	315
VAA-300AP-(..)(...)-71A	3"	80	90	72,9	125	12	100	260	158	380
VAA-400AR-(..)(...)-71A	4"	100	118,8	97,6	170	15	150	340	158	430

Special executions available on request :

- Welding plate with radius or bigger different thickness, special adaptors plate
- TFM 1600 PTFE bellow diaphragm for high viscosity products
- 45°Outlet port butt weld
- Stainless steel handle / pneumatic actuator
- Adjustable flow regulator
- Mechanical / inductive control box

VFA10°-TK/TC TK-Connection removable body



(..) T → TFM PTFE
(..) X → Silicone
(...) MD → manual actuator
(...) PB → pneumatic actuator

Dimensions table

CODE	INCH	DN	ØTC	ID	TK	ØTK	H	H1
VAK-075AH-(..)(...)-71A	3/4"	20	25	15,75	1"1/2	85	105	145
VAK-100AJ-(..)(...)-71A	1"	25	50,4	22,1	2"	100	190	225
VAK-150AM-(..)(...)-71A	1" 1/2	40	50,4	34,8	2"1/2	112	200	270
VAK-200AN-(..)(...)-71A	2"	50	64	47,5	4"	170	220	340
VAK-300AP-(..)(...)-71A	3"	80	90	72,9	4"	170	270	390
VAK-400AR-(..)(...)-71A	4"	100	118,8	97,6	Not available for TK-Conn application			

Special executions available on request:

- TK-Connection welding plate with radius or bigger different thickness, special adaptors plate
- TFM 1600 PTFE bellow diaphragm for high viscosity products
- 45°Outlet port butt weld
- Stainless steel handle / pneumatic actuator
- Adjustable flow regulator
- Mechanical / inductive control box

Get the information you need and more at : info@erreinox.it

In the interests of development and improvement of the product, we reserve the right to change the specifications without prior notice.

Aerre Inox s.r.l.

26010 FIESCO Via Gerola n.4 -CREMONA - Italy
Tel. +39. 0374. 370828 Fax +39. 0374. 370833
e-mail : info@erreinox.it http : www.erreinox.it