

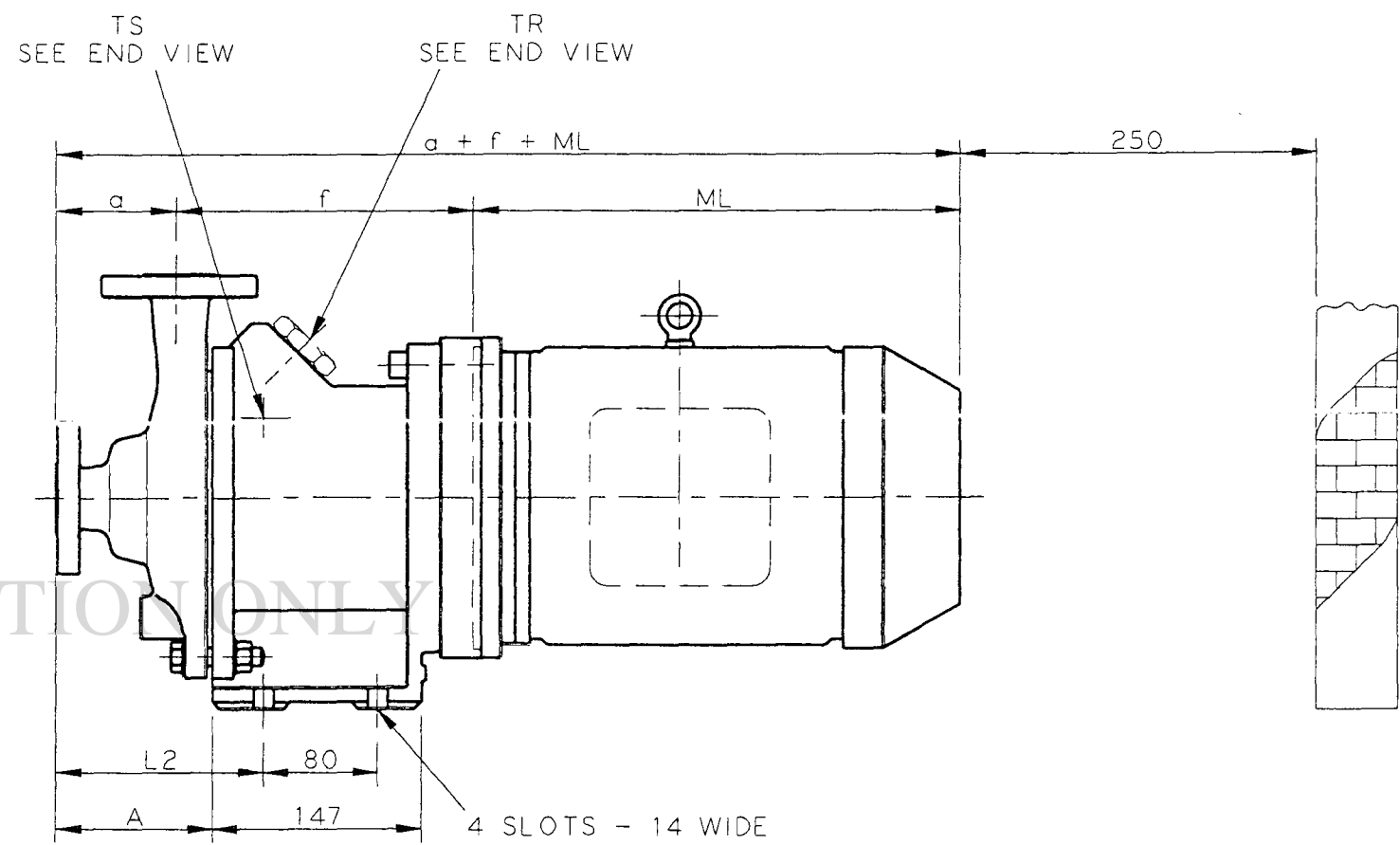
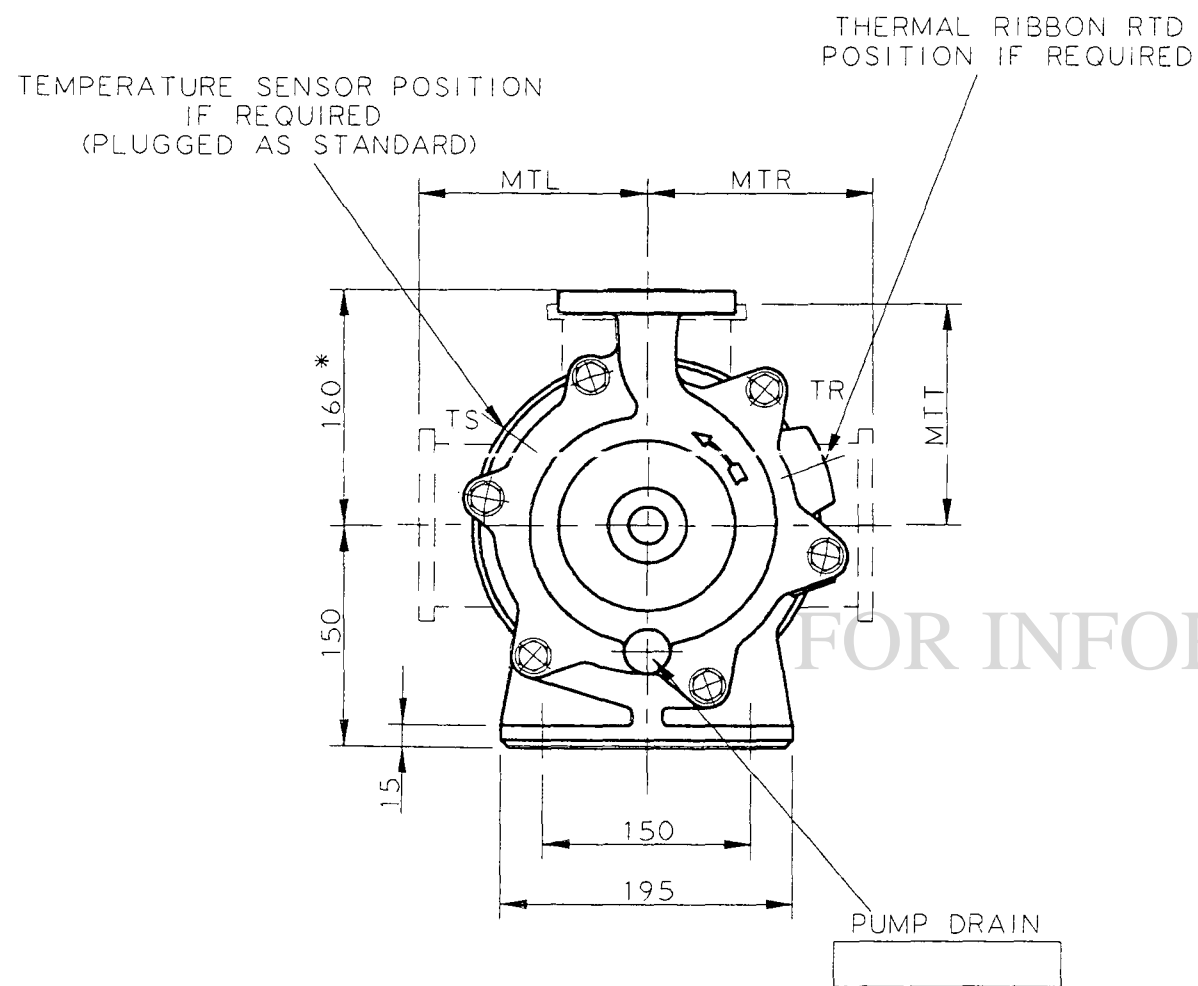
HMD Sealless Pumps
Hamden Park Industrial Estate,
Eastbourne, Sussex, BN22 9AN, England
Tel: +44(0) 1323 452000
Fax: +44(0) 1323 503369

KONTRON
Sealless Magnet Drive Pumps
14845 West 64th Ave
Arvada, CO 80007 USA
Tel: +1 (303)-425-0800
Fax: +1 (303)-425-0896

FLANGE RATING:						
PUMP SIZE	SUCTION	DISCHARGE	a	a + f + ML	A	L2
1 x 1 x 5	1" (φ25)	1" (φ25)	85		108	144
1 x 1 x 6	1" (φ25)	1" (φ25)	105		128	164
2 x 1.5 x 5	2" (φ50)	1.5" (φ40)	110		135	171
25 X 25 X 125	φ25 (1")	φ25 (1")	85		108	144
25 X 25 X 160	φ25 (1")	φ25 (1")	105		128	164
50 X 40 X 125	φ50 (2")	φ40 (1.5")	110		135	171

NOTE: ADD 3mm + GASKET THICKNESS TO DIMENSION THUS * IF AN ORIFICE IS FITTED.
NOTE: IF A TEMPERATURE SENSOR IS FITTED THE TERMINAL BOX IS BRACKET MOUNTED TO THE BASEPLATE.
SEE DRG MANUAL FOR WIRING DETAILS.

PUMP SIZE	MOTOR	80/90	100/112	132	143/145	182/184	213/215
1 x 1 x 5	f	196	204	201	196	198	206
1 x 1 x 6	f	196	204	201	196	198	206
2 x 1.5 x 5	f	198	206	203	198	200	208
25 x 25 x 125	f	196	204	201	196	198	206
25 x 25 x 160	f	196	204	201	196	198	206
50 x 40 x 125	f	198	206	203	198	200	208



FOR INFORMATION ONLY

© 1999 HMD Sealless Pumps Ltd. THIS DOCUMENT CONTAINS PROPRIETARY INFORMATION OF HMD SEALLESS PUMPS LTD. NEITHER RECEIPT NOR POSSESSION THEREOF CONFER ANY RIGHTS TO REPRODUCE, OR USE, OR DISCLOSE, IN WHOLE OR IN PART, ANY SUCH INFORMATION WITHOUT WRITTEN PERMISSION FROM HMD SEALLESS PUMPS LTD.

PUMP WEIGHTS (Kg)	
PUMP	
MOTOR	
BASEPLATE	N/A
TOTAL	

ELECTRIC MOTOR DETAILS				
MANUFACTURER				
RATING/FRAME				
ENCLOSURE				
SUPPLY/SPEED	V	PH	HZ	rpm
MTT				
MTR				
MTL				
ML				

ISS	DATE	CHANGE NUMBER	DRN	CHK
1	10/06/99	INITIAL ISSUE	MO	<i>[Signature]</i>

ISS	DATE	CHANGE	AUTH
CONTRACTS ISSUE NUMBER			
TITLE GTA/I PUMP RANGE			
CLOSE COUPLED, METRIC			
DRAWING NUMBER X7216-MET			

INSTALLATION DATA