

PTFE chemical hose-smooth bore with annularly corrugating and wire braid (PN 10)

The annularly corrugated hose shows a multitude of self-contained and parallel metal convolutes in equal distance. The annularly corrugated hose has a braiding to increase the pressure resistance. It has a straight PTFE lining.



PTFE chemical hose-smooth bore with annularly corrugating and wire braid (PN 10)

Lining-Materials:

- PTFE (virgin or conductive)

Different lining thicknesses on request.

Flange design:

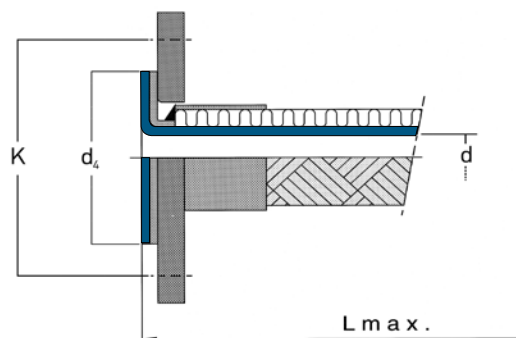
- fix-fix
- fix-loose
- loose-loose

Other pressure rates:

- PN 16
- PN 25
- PN 40

Material: carbon steel and stainless steel

Special features: earthing studs, earthing lugs, flange stopper, final painting.



DN	L _{max.} (mm)	d (mm)	Bend-radius min. (mm)	Working-pressure max. 10 ⁵ Pa	d ₄ (mm)	K (mm)	Screws	Weights	
								Hose (ca. kg/m)	Flansch (ca. kg/side)
25	5000	21	350	25	68	85	4 x M 12	0,8	1,2
32	5000	27	400	20	78	100	4 x M 16	1,0	1,7
40	5000	33	550	16	88	110	4 x M 16	1,6	1,9
50	5000	45	750	16	102	125	4 x M 16	1,6	2,4
65	5000	58	1000	14	122	145	4 x M 16	1,8	3,4
80	5000	73	1300	12	138	160	8 x M 16	2,6	3,8
100	5000	97	1500	10	158	180	8 x M 16	3,45	4,2
125	5000	120	1800	10	188	210	8 x M 16	5,8	5,2
150	5000	142	2000	10	212	240	8 x M 20	8,2	6,4
200	5000	192	2500	10	268	295	8 x M 20	11,0	7,8

L = Length

D = External diameter

d₄ = Flaring diameter

K = Bolt circle